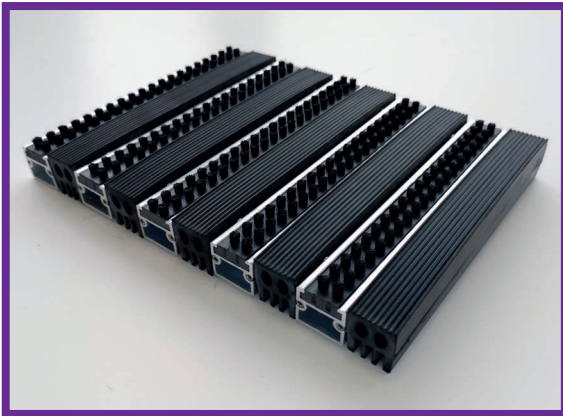


# Entrance Mats FULL 25 SPAZZOLA



## SUGGESTED LOCATION

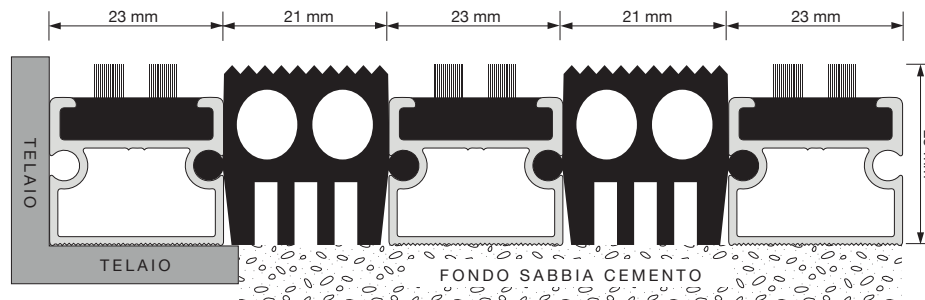
INDOOR

COVERED  
OUTDOOR

OUTDOOR

## STRENGTHS

- Rollable closed structure
- Perfect for trucks and moving stairs
- Strong scraping action for fine dirt
- High non-slip action



Structure in strong tubular aluminium profiles joined by a laminated rubber EPDM profile. No space between the slats (closed mat), lining in rich technical needle-punched with almondy appearance. Thickness 25 mm. c.a.

Overall thickness	25 mm	Profile's material	Aluminium alloy EN AW-6060 from primary billet
Weight	20,2 kg/m <sup>2</sup>	Profile's MAX lenght	300 cm - 200 cm for outdoor (also evaluable extraordinary lenghts)
Daily crossings	over 5000	MAX lenght walkway	200 cm (also evaluable extraordinary lenghts)
Distance between profiles	Closed	Covering	Section PA monofilament tufts of nylon 0,3 mm punched on thermoplastic support Rubber EPDM 80 Sh A
Ligation	in Rubber EPDM 80 Sh A	Certifications	• Certificate of quality ISO 9001-2015
Profile's height	20 mm		
Middle section profile	1,2 mm		

N.B. Mat.en's technical mats are a system of modular and rollable mats, trailerable and heelguard realized on shape and design on project. Are provided compensation profiles to reach the exact dimensions requested where necessary. Are counted 5mm air on measures communicated to allow the laying, the removal and the cleaning of the mats.

# Entrance Mats FULL 25 SPAZZOLA

## Rubber color



Black

## Brush color



Black

## ACCESSORIES

Containing frame in: aluminium, steel and brass

Anodized aluminium finishing-lists

Anodized aluminium antistumbling trailerable ramp

Stainless steel containment tanks

Acoustic foam

## SERVICES

Survey with measures tracking

Installation

Shaping

Sanitation of the product

Maintenance, cleaning and repairs

Coating replacement

Technical consultancy

Graphic draft realization for customized mats

Sampling

## CUSTOMIZATIONS

BART (stainless steel bar with laser engraving logo)

Anodizing of aluminium profiles

RAL profiles painting

Special painting

## CLEANING AND MAINTENANCE

To keep the carpets long-lived and working, we recommend to always check that the housing is levelled and in good condition and to ensure a thorough cleaning on a weekly basis.

- Aspire the top of the mat, roll it up and remove the dirt accumulated on the bottom with the help of a stiff bristle and vacuum cleaner (for draining channel).

- In case of stubborn dirt proceed after the ordinary cleaning with washing. Using a high pressure washer (at a minimum distance of 70cm), remove the accumulated dirt between the slats and on the coating. Allow the mat to dry completely, possibly vertically, before placing it back in its seat.

- To stain the textile coating, it's possible to clean the surface of the mat using warm water, laundry brush and the special soaking (can be purchased on [www.mat-en.com](http://www.mat-en.com)).

In case the coating strips were irreversibly damaged (chewing gum, oil and cigarette burns) or in case of extreme wear you can contact the company for partial or total replacement.

It's possible to sanitize the mat with the appropriate specific products purchasable on [www.mat-en.com](http://www.mat-en.com).

## CONSUMABLE

Mat.en offers a complete range of products designed for the maintenance, the cleaning and the sanitation of their products and the replacement of consumable accessories.

**MATEN**<sup>®</sup>  
[www.mat-en.com](http://www.mat-en.com)



Aderente ad AIB



Sistema di gestione qualità accreditato